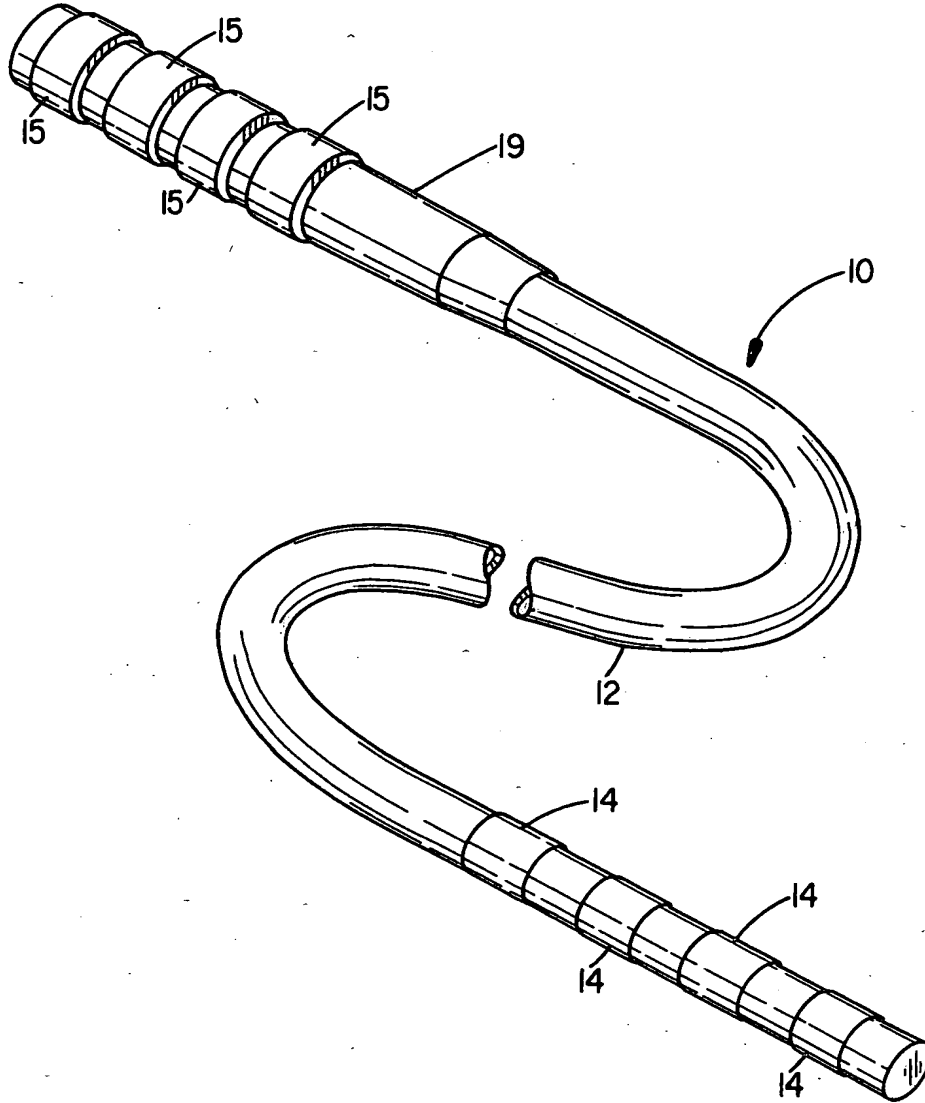


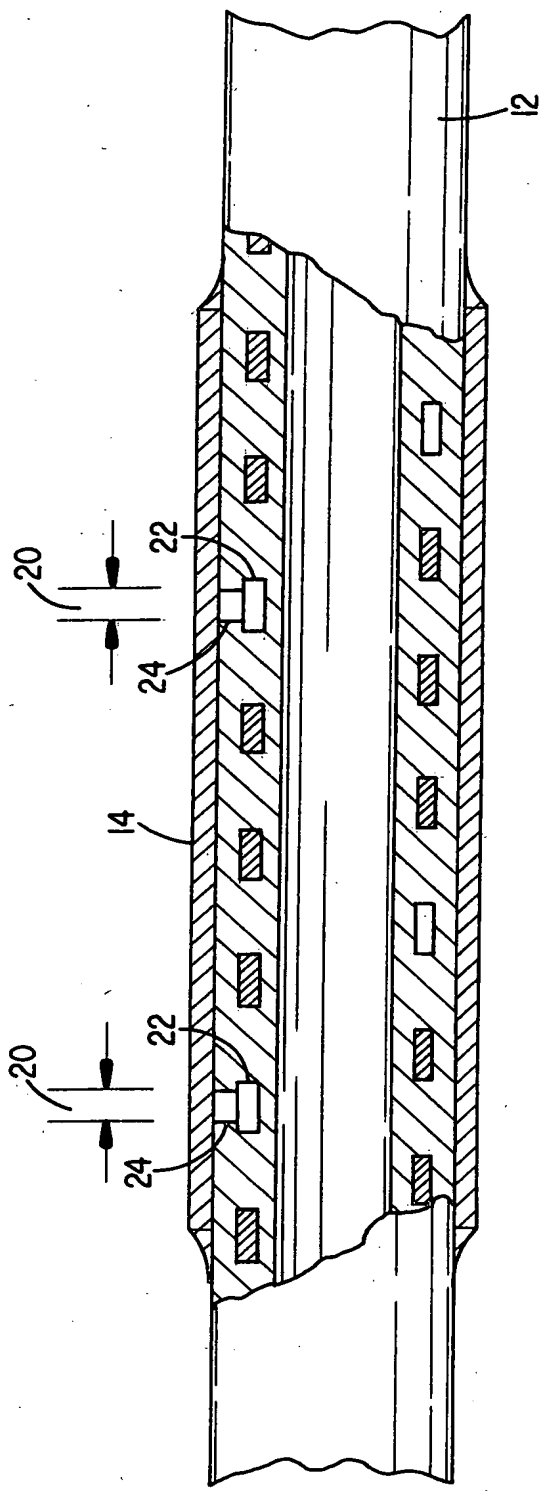


Docket No.: 02-061 (ANSI01-00009)  
Applicant: Bradley J. Wessman  
Application No.: 09/670,062  
Filing Date: September 26, 2000

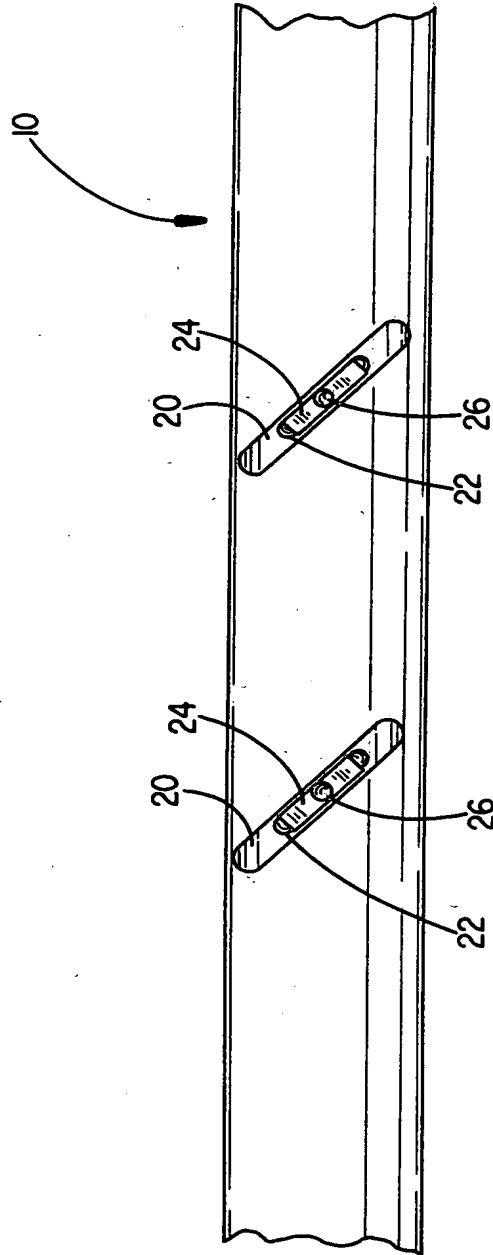
# REPLACEMENT



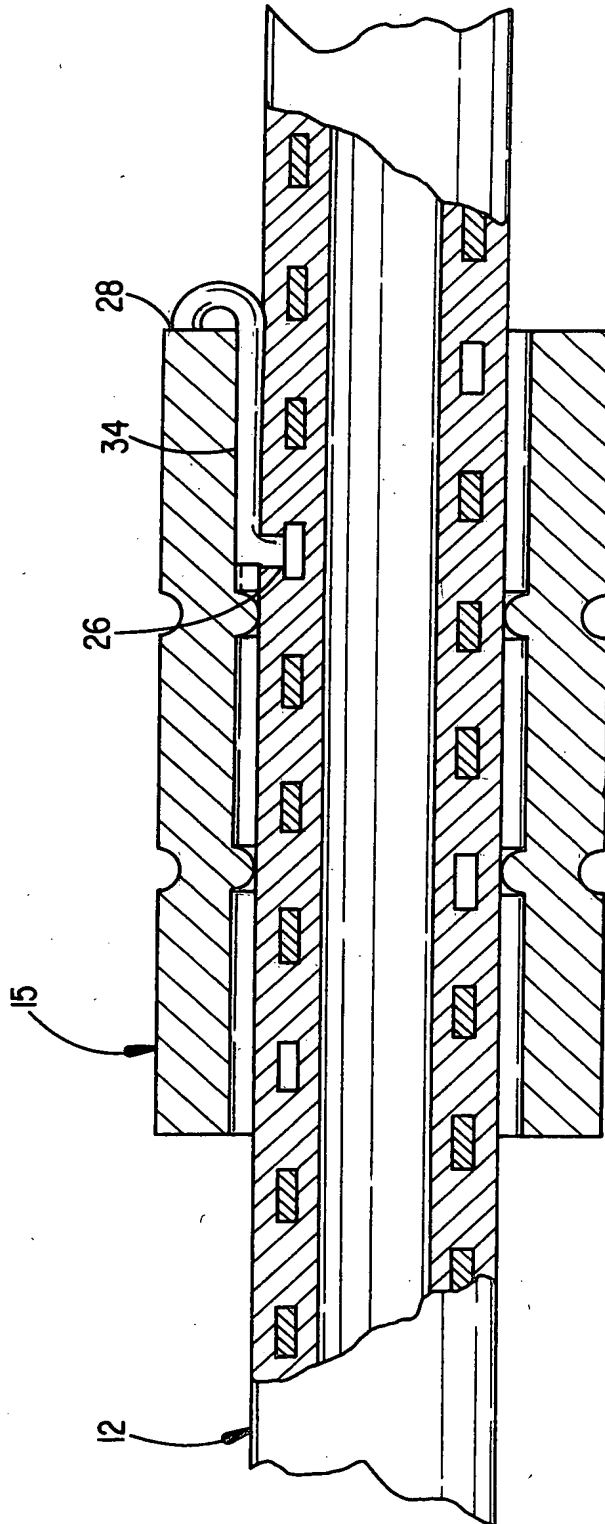
**FIG. 1**



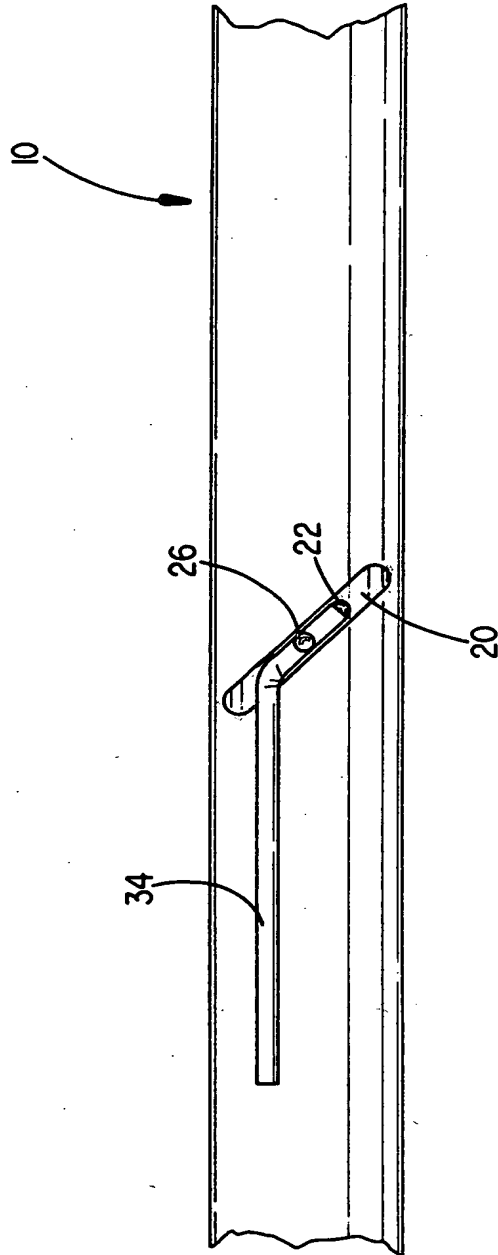
*FIG. 2*



**FIG. 3**



**FIG. 4**



**FIG. 5**

